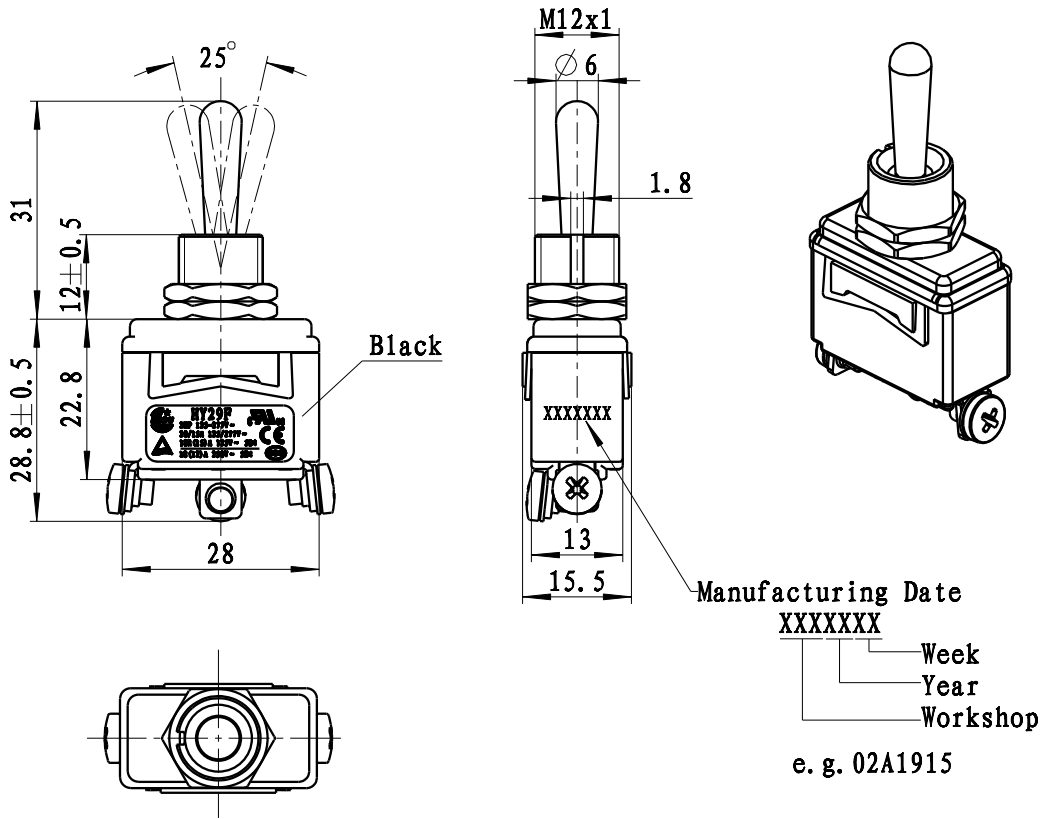


113101015

Rejigger Index

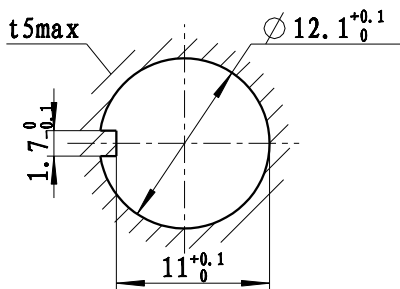
REV.	Mark	Qty	Verified	Content	Description	Verified /Date	Rejigger /Date



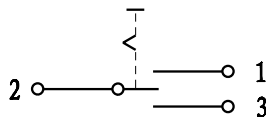
Certificate And Rating

EN 61058-1	GB 15092.1	UL 1054	UL 61058-1
18 (12) A 250V ~ 5E4	18 (12) A 250V ~ 5E4	20/15A 125/277V ~ 2HP 125-277V ~ 6E3	18R (15) A 125V ~ 5E4

Mounting Size



Circuit Diagram



Technical Requirements

1. KEDU Product Model: HY29F;
2. Certificate and rating See table;
3. Protection degree: IP40;
4. Function: ON-OFF-ON;
5. Directive/Regulation: RoHS;
6. Screw in torque: 0.7 ~ 0.9N · m.

Tolerance Not Marked

Basic Dimension	>0 ~ 6	>6 ~ 30	>30 ~ 120	>120 ~ 300
Tolerance	± 0.1	± 0.3	± 0.5	± 1

ASSEMBLE OUTLINE

KEDU ELECTRIC

113101015

Toggle Switch

1131010033

Common use register

Drawing

Collation

Old Bottom Drawing No.

Bottom Drawing No.

Signature

Designed by	黄泽旭	20210330	Standardization	王思琦	20210401
Collated by	黄邦然	20210330	Examined by	陈晓微	20210401
Checked by	陈亚	20210330	Drawn by	黄泽旭	20210401
Technics			Approved by	李子平	20210402

Phase Mark

REV.

Scale

S

A

1:1

Current Page

Total Page